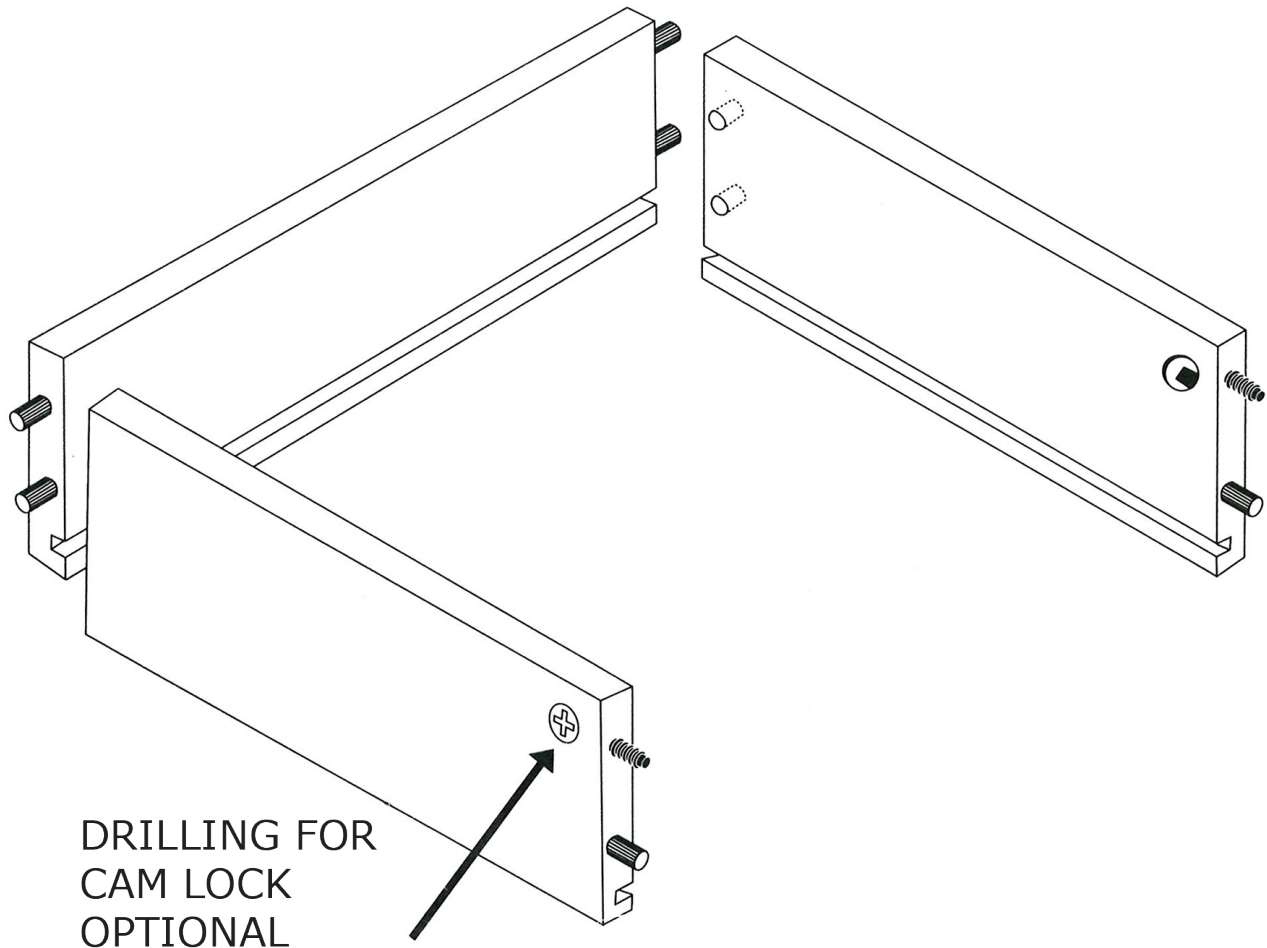




TYPE KD

### Three or Four Part Drawer

	Height	Width	Length
<b>Minimum</b>	51mm (2")	220mm (8.66")	220mm (8.66")
<b>Maximum</b>	325mm (12.75")	*N/A	*N/A
<b>* Maximum length per piece 3000mm (10')</b>			



**Applications:**

All types of furniture. Ideally suited for RTA furniture and closets.

**Options:**

Assembly via wooden dowels, plastic dowels, screws.  
Outside groove: Drilling of pilot holes for slide attachment.

**Features:**

Specially designed for RTA type furniture applications. Special drilling for cam type front piece connectors available.

**Requirements:**

For three sided drawers, customer fronts must be drilled in a 32mm pattern. Drawer fronts for four sided drawer can be attached via screws.