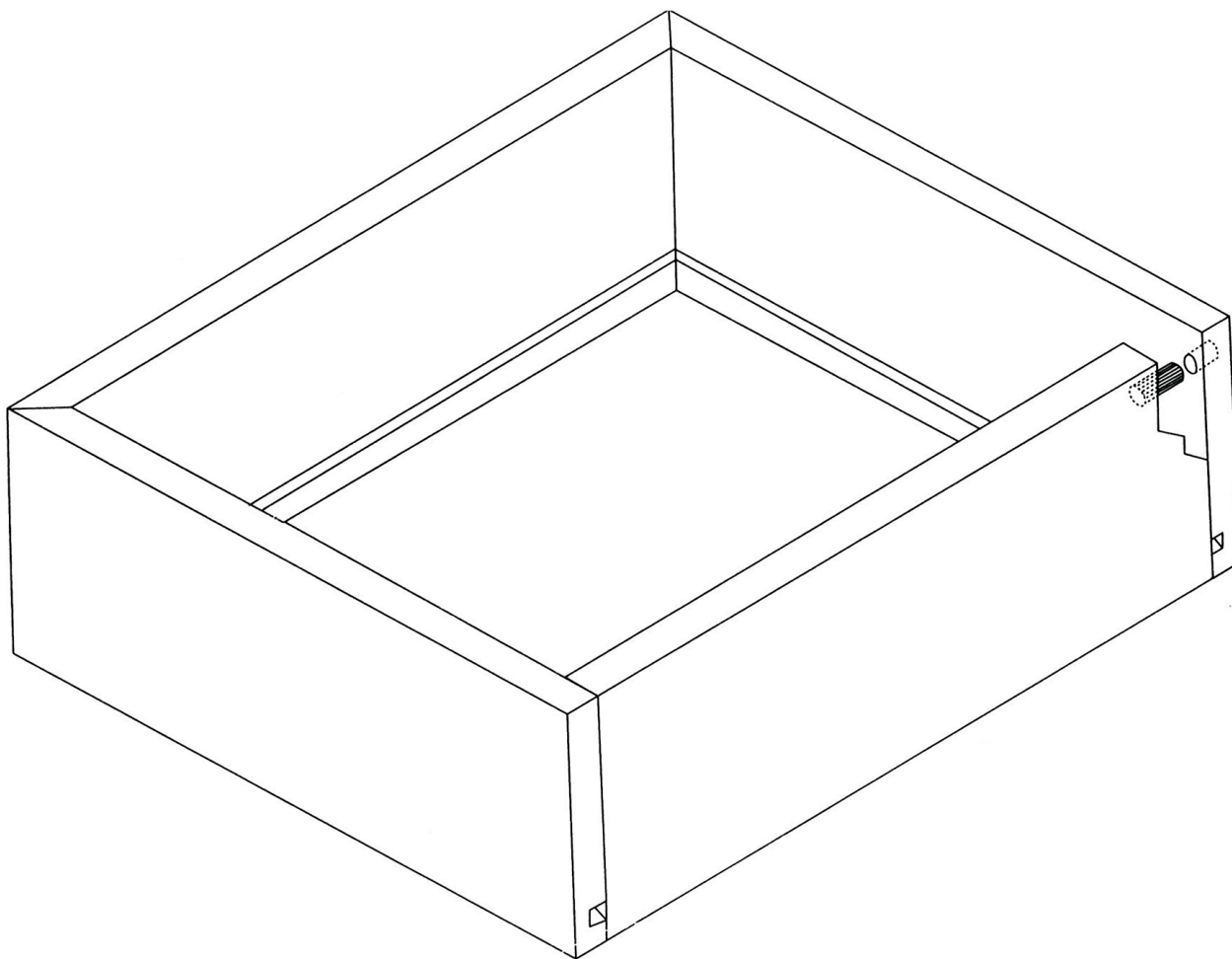




TYPE IV

**Two Part Miterfold Drawer
Butt Joint Assembly**

	Height	Width	Length
Minimum	51mm (2")	245mm (9.65")	220mm (8.66")
Maximum	325mm (12.75")	*N/A	*N/A
* Maximum length of total drawer without dowel between front 3000mm (10')			



Applications:

Office, Laboratory, Medicine Cabinets, Kitchen, Bath, Closets

Options:

Drilling to accommodate the installation of shelves and dividers.
Outside groove: Drilling of pilot holes to facilitate the attachment of decorative fronts.

Features:

Specifically designed for miterfold drawers more than 3000mm (10') in total length. Provides additional strength when decorative overlay fronts are used. Facilitates easy alignment of decorative fronts after final cabinet assembly. Drawer is assembled by use of 8mm (5/16") wooden dowels. Maximum 4 dowels per side, depending on height.