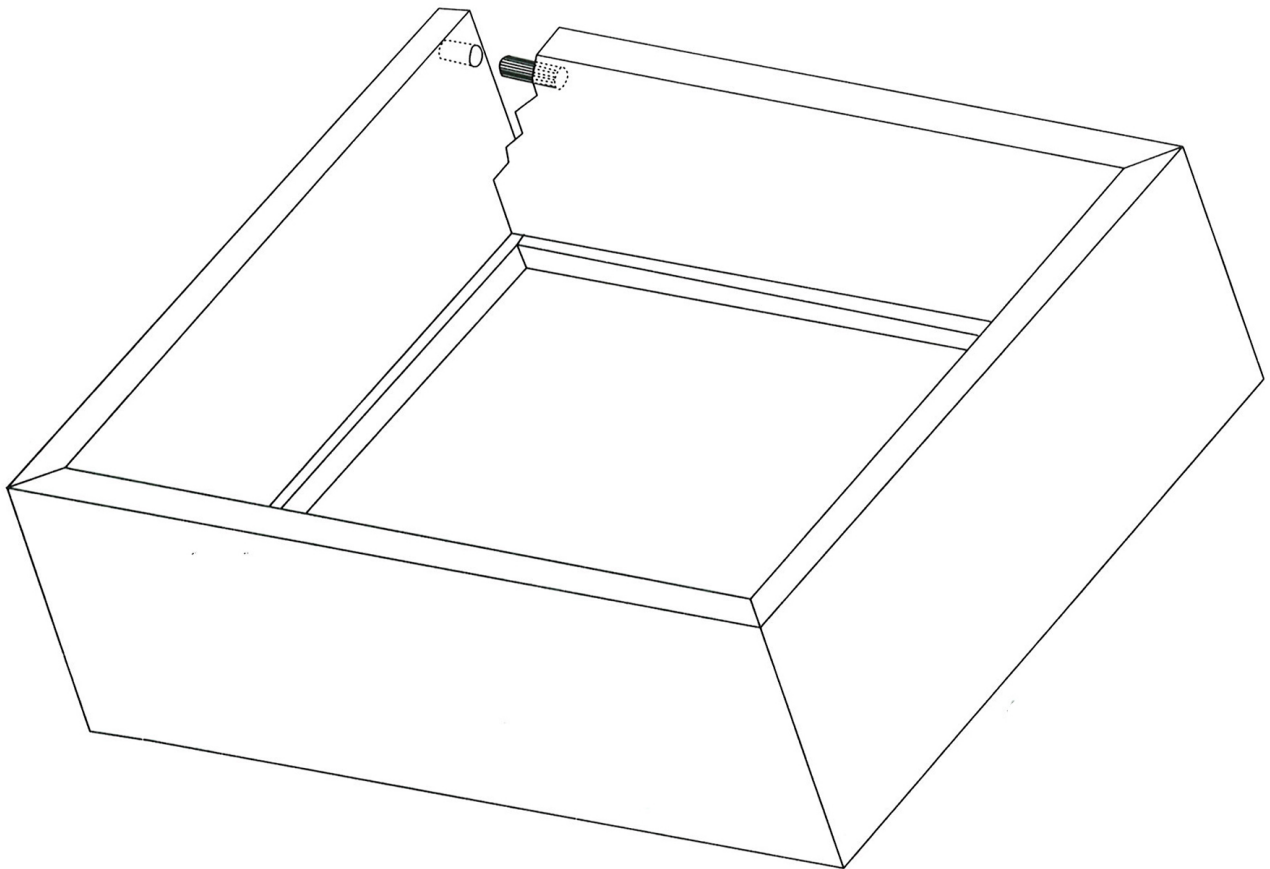




TYPE II

**Four Sided Miterfold Drawer
Butt Joint Assembly**

	Height	Width	Length
Minimum	51mm (2")	220mm (8.66")	220mm (8.66")
Maximum	325mm (12.75")	*N/A	*N/A
* Maximum length of total drawer 3000mm (10')			



Applications:

Bedroom, Dental, Kitchen, Office, Vanity, Wall Units,
Casegoods, Contract, Recreational Vehicle

Options:

Front piece drilling, recessed slide groove, notching and drilling
for undermount glides.

Features:

Minimum labor for assembly. Butt joint assembly via 8mm (5/16")
wooden dowels. Maximum 4 dowels, depending on height.
Facilitates easy adjustment of front piece after cabinet assembly.