



JOINERY METHODS

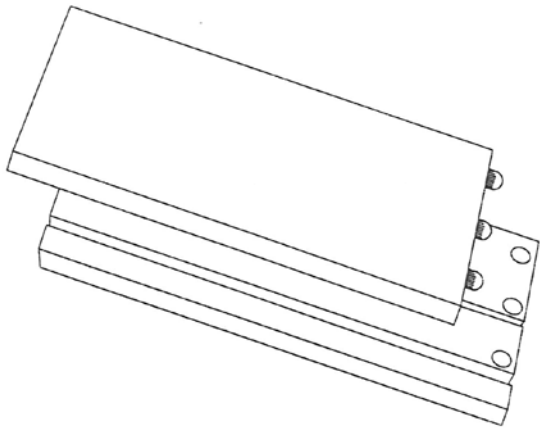
Prefinished Wood Drawer Components

Listed below are the Min./Max. outside dimensions

	Height	Width	Length
Minimum	44.5mm (1.75")	133mm (5.25")	133mm (5.25")
Maximum	343mm (13.5")	1194mm (47.0")	1194mm (47.0")
NOTE: Tolerances on all dimensions are +/- 0.5mm (0.197")			

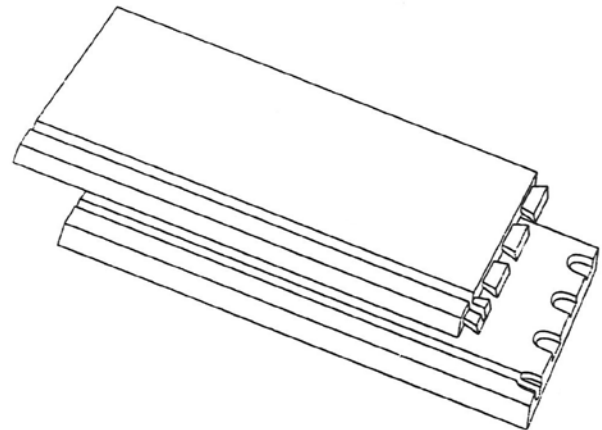
STANDARD — BORE & DOWEL

Fronts & Backs are doweled. Sides are bored.
Standard dowel projection: 9mm (.35)
Standard depth of holes on side pieces: 10mm (.39")
NOTE: Parts in heights from 44.5mm (1.75") to 69mm (2.70") can receive only one dowel.

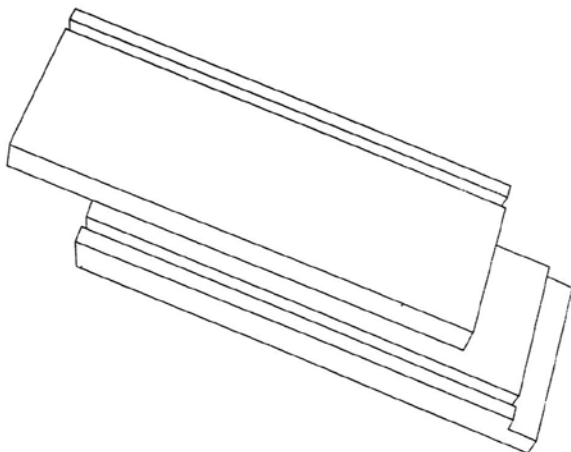


OPTION I — ENGLISH DOVETAIL

Centers on 1" (25.4mm)
Projection: 5/16" (8mm)



OPTION II — RABBET



OPTION III — FRENCH DOVETAIL

